

Windows and Embedded

Software design and development

Frédéric Coste

10, rue Jean Louis Linquette
95310 Saint Ouen l'Aumône - France

☎ +33 (0) 1 34 21 80 63

✉ coste.frederic@free.fr

**COMPUTER
SCIENCE**

ELECTRONICS

C++ Language for Windows;

C Language for Windows, Palm OS, LabWindows/CVI, DOS and processors Motorola, Texas Instruments, Fujitsu;

Assembler language for Intel, Motorola and Texas Instruments processors.

Design and realisation of basic systems using Intel, Motorola and Texas Instruments processors.

EXPERIENCE

February 2002
to April 2006
Pontoise (France)

Software engineer at E2-CAD

(C, C++, Borland Builder, VCL, Windows API, SA/RT, OSEK, RFID, Boot loader, I2C, CAPL, V cycle, VSS...)

- Design and development, within a team, of automotive embedded software:
 - Instruments clusters for Volkswagen Golf and Passat;
 - Prototype of NACAM electric steering column.
- Design and follow-up of the development of an editor of "Grafcet" like charts used to describe embedded software behaviours.
- Design and realisation of an editor of "SA/RT" like diagrams used for the specification and the design of real time embedded software.

November 1998
to July 2001
Lisses (France)

Software engineer, mission at MEGTEC Systems

(C, C++, Borland Builder, VCL, Windows API, SQL, V cycle...)

- Design and realisation of a software to follow paper consumption for printing industry:
 - Connections with several kinds of devices;
 - Installation in several countries.
- Design and realisation of a software to ensure communication between press consoles and all connected pasters.
- Migration of a supervision and command software for the automatic rolls loader of the "Il Sole 24 ORE" printer located in Milano (Italy).

January 1995
to November 1998
Clichy (France)

Software engineer, mission at ALCATEL Contracting

(C, Borland, Windows API, Client/Server, Sockets, RS232, Access...)

- Design, realisation and installation of a supervision and command software used for video monitoring of some "Paris Gare de l'Est" railway stations and a part of the A13 motorway.
- Design and realisation of software for the maintenance of components inside video monitoring systems.

December 1993
to November 1994
Osny (France)

Development engineer, mission at SAGEM

(Assembler, SA/RT...)

Design and realisation of an evolution of the speech synthesis control unit inside the Renault Safrane:

- Hardware architecture, technologic choices, cost optimisation and transfer to the production plant;
- Software development with code and data size optimisation and execution time constraints.

EDUCATION

- 1991 "DUT", University Diploma in electronics and computer science for industry
- 1989 "Baccalauréat série F2", Equivalent to A-levels in electronics with honours

MISCELLANEOUS

- 35 years, 3 children
- Company manager from 1996 to 2002
- Sport and hobbies: Flight simulator, Light aircrafts flying, Sub-diving, Shorinji Kempo...

EXAMPLES OF JOBS

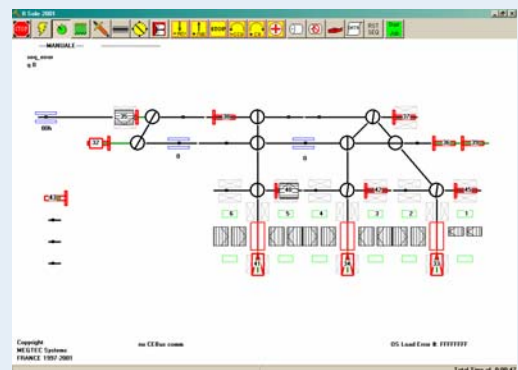
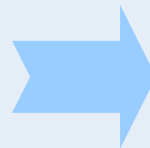
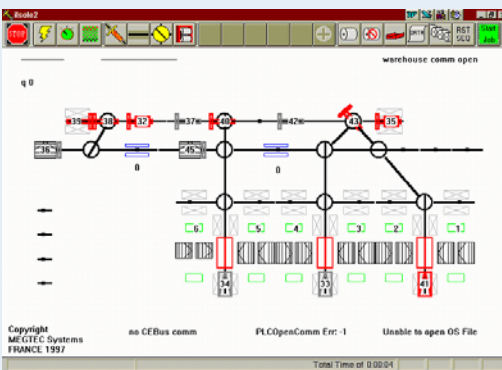
QUALIROLL

Paper consumption manager software



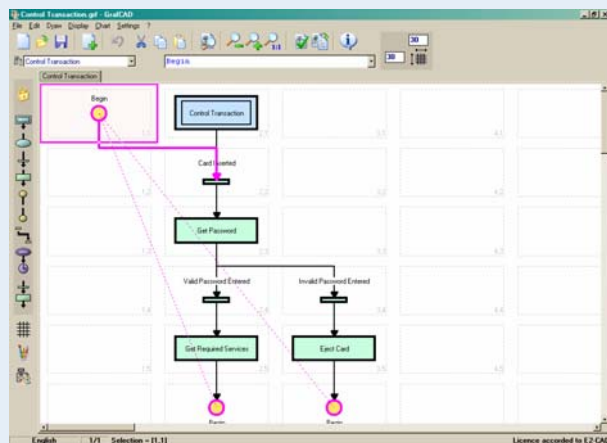
IL SOLE 24 ORE

Migration of the automatic rolls loader supervision and command software



GRAFCAD

State-Transition charts editor



CASECAD

“SA/RT” like diagrams editor

